

PERFECT LIGHTING
ATMOSPHERE FOR
YOUR SMART HOME

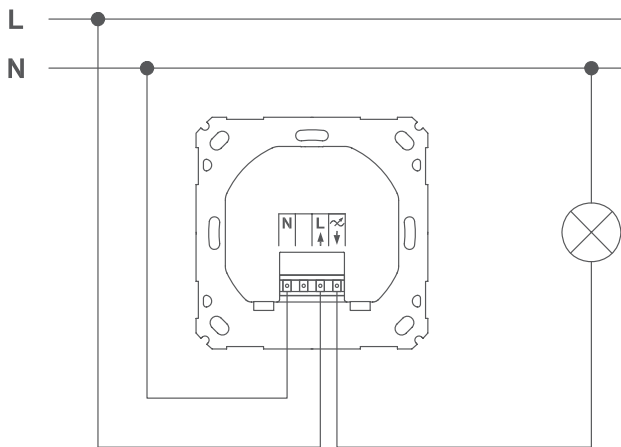
Dimming Actuator for brand switches

HmlIP-BDT

The Homematic IP Dimming Actuator offers intelligent control of dimmable luminaries. The invisible solution for flush-mounted installation can be easily retrofitted. This is how existing switch series can continue to be used. Afterwards, lights can be controlled easily via smartphone, automatically using an individual time profile or – as used to – via push-button.



homematic 
Smart Living, Simply Exciting.



For installation, a neutral conductor is required.

SMART CONTROL AND DIMMING OF LIGHTS

Almost infinitely variable dimming and switching of the connected lights provides for the ideal lighting atmosphere in your smart home. The dimming value can be set individually via the Homematic IP app.

The device is controlled via smartphone, wireless push-button or remote control, existing switches or comfortably via voice command. The lighting can also be switched on or off automatically at the desired time using adjustable time profiles.

SUITABLE FOR A LARGE NUMBER OF ILLUMINANTS

- ✓ Dimmable LEDs
- ✓ Dimmable energy-saving lamps
- ✓ Incandescent lamps
- ✓ HV halogen lamps
- ✓ NV halogen lamps with electronic transformer

SMART WAY TO WAKE UP

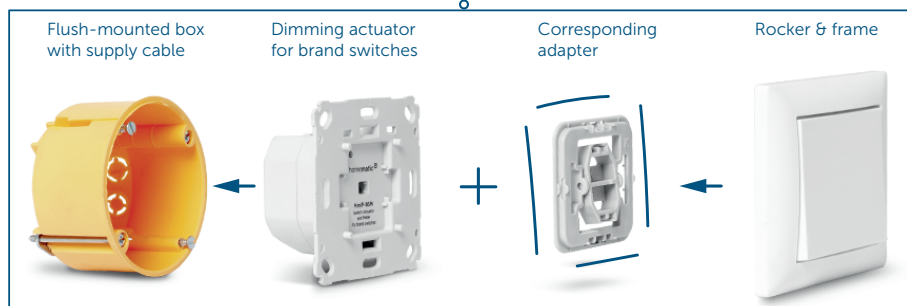
Start relaxed into the day: Dimmable lights can slowly be switched on automatically, at sunrise or any desired time.

INVISIBLE INSTALLATION INTO EXISTING DESIGNS

Offers integration into existing switches by making use of existing frames and rockers. With the appropriate adapter, the device can be integrated into the most popular switch designs of leading manufacturers (an overview of compatible manufacturers is available at www.homematic-ip.com).

EASILY INSTALLED

Compact design for installation into standard flush-mounted boxes. The screwless terminals enable easy and secure wiring.



TECHNICAL SPECIFICATIONS

Supply voltage	230 V/50 Hz
Current consumption	0.35 A
Minimum load	3 VA
Maximum switching capacity	80 VA
Standby power consumption	0.4 W
Dimming method	reverse phase control
Load type	ohmic and capacitive lamp load
Cable type and cross section	rigid and flexible cable, 0.75 - 1.5 mm ²
Installation	only in normal commercial switch boxes (device boxes) in accordance with DIN 49073-1
Degree of protection	IP20
Ambient temperature	5 to 35 °C
Dimensions (W x H x D)	71 x 71 x 37 mm
Weight	47 g
Radio frequency band	868.0-868.6 MHz 869.4-869.65 MHz
Typ. open area RF range	270 m

To enable operation, the device has to be connected with one of the following solutions:

- Homematic IP Access Point with free smartphone app and free cloud service
- Central Control Unit CCU2/CCU3 with the local user interface WebUI
- Third-party solutions of partners

LOGISTICAL DATA

Product reference	143166A0
EAN code	4047976431663
Short description	HmIP-BDT
Packing unit	90
Packing dimensions	122 x 112 x 48 mm
Weight incl. packaging	124.8 g

PACKAGE CONTENTS

Homematic IP Dimming Actuator for brand switches
Screws 3.2 x 15 mm (2x)
Screws 3.2 x 25 mm (2x)
User manual