

THE PERFECT LIGHT-
ING MOOD IN YOUR
SMART HOME

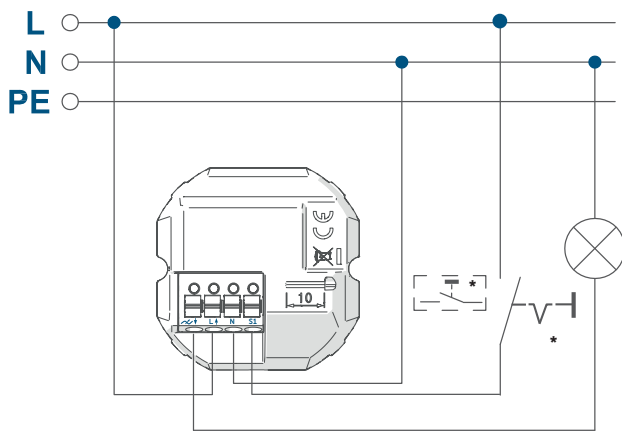
Dimming Actuator for Brand Switches – International

HmlP-BDT-I

The dimming actuator for brand switches – international from Homematic IP makes control of dimmable lamps smart. The invisible flush-mounted solution can be flexibly retrofitted. This means that existing switch series can simply continue to be used. The lights can then be conveniently controlled via your smartphone, fully-automatically via a time profile or in the usual way with buttons.



homematic 
Smart living. Simply exciting.



A neutral conductor is required for installation

INTELLIGENT LIGHT SWITCHING AND DIMMING

Almost infinitely variable dimming and switching of the connected lights to create the ideal lighting mood in your smart home. Using the Homematic IP app, you can individually select the desired dimming level.

Control is flexible, by means of a smart phone, a wireless push-button or remote control, using the existing switch series or conveniently by means of voice control. The lighting can also be fully automatically switched on or off at the desired time using adjustable time profiles.

SUITABLE FOR MANY LAMPS

- ✓ Dimmable LEDs
- ✓ Dimmable energy-saving lamps
- ✓ Incandescent lamps
- ✓ HV halogen lamps
- ✓ Low-voltage halogen lamps with electronic transformers

TECHNICAL SPECIFICATIONS

Supply voltage	230 V/50 Hz
Current consumption	0.35 A
Minimum load	3 VA
Maximum switching capacity	80 VA
Power consumption in standby	0.4 W
Dimming method	Reverse phase control
Load type	ohmic and capacitive lamp load
Cable type and cross section	rigid and flexible cable, 0.75 - 2.5 mm ²
Installation	only in Legrand Batibox-type switch boxes conforming to DIN 49073-1, and Agro flush-mounted back boxes
Degree of protection	IP20
Ambient temperature	-5 to +40 °C
Dimensions (W x H x D)	52 x 52 x 31 mm
Weight	47 g
Radio frequency band	868.0-868.6 MHz 869.4-869.65 MHz
Typical Range in open space	280 m

A SMART ALARM CLOCK

A relaxed start to the day: Dimmable lamps can be slowly switched on automatically at sunrise or any desired time.

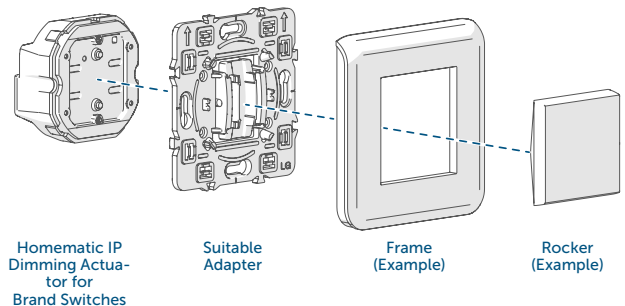
INSTALLED CONCEALED IN THE EXISTING DESIGN

Integration into existing switch series is very easy by using the existing frames and rockers. With a corresponding adapter*, the switching module can be integrated into many leading manufacturers' (e.g. Legrand, Schneider Electric and Feller) popular switch series. An overview of the compatible manufacturers is available at www.homematic-ip.com.

*Adapter must be purchased separately

SIMPLE TO INSTALL

The compact design allows installation in standard flush-mounted boxes, with no special electronics box required. The screwless terminals make wiring particularly easy and secure. The connection is identical to a manual switch and so can be done by any installer.



Operation requires connection to one of the following solutions:

- Homematic IP access point with free smartphone app and free cloud service
- Third-party partner solutions

LOGISTICS DATA

Product reference	159157A0
EAN code	4047976591572
Short description	HmlP-BDT-I
Packing unit	90
Packing dimensions	122 x 112 x 48 mm
Weight incl. packaging	tbd

PACKAGE CONTENTS

Homematic IP Dimming Actuator for Brand Switches – International
Operating manual